

IPC-8118 (B)

19" 1U Chassis for Network Platform Application



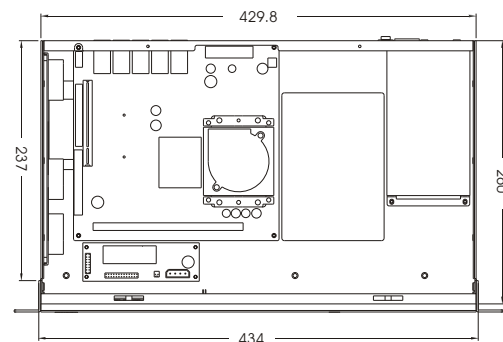
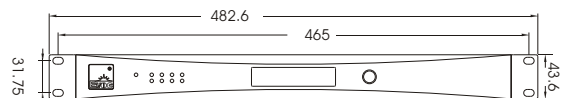
SPECIFICATIONS

Chassis: IPC-8118 (B) chassis
Motherboard: Standard P4 low-power industrial motherboard
Power Supply: 1U industrial power supply
Dimensions: 482.6mm (W) x 269.4mm (D) x 43.6mm (H)
Operating Temperature: 0°C~50°C
Storage Temperature: -20°C~60°C
Operating Humidity: 20%~95%, non-condensing
EMC: China Compulsory Certification (CCC) compliant. Limits of radio disturbance conform to standard GB9254-1998 class A. Immunity to disturbance conforms to GB/T 17618-1998 standard
Safety: GB4943 compliant
Environmental Adaptability: Climate adaptation conforms to GB/T9813 4.8.1 class 2. Mechanical environment adaptability (vibration, shock and impact) conforms to GB/T9813 4.8.2 class 2

INTRODUCTION

IPC-8118 (B) is specially designed for 1U 19" rackmount. It is a specific firewall chassis remaining hard disk bay and enhancing heat dispersion capability. It can be configured with P4 motherboard with multiple LAN ports to meet customer's demands. IPC-8118 (B) chassis is constructed of high quality steel panel, with protective coatings. It has rational structure, easy installation and beautiful appearance; it would be considered as the mainstream product in the firewall chassis of EVO Company. IPC-8118 (B) can be widely applied in the network terminals of industry, communication and military.

DIMENSIONS



PACKING LIST

- One IPC-8118B firewall
- One User Manual
- One box of accessories

ORDERING INFORMATION

Model Number	Description
IPC-8118(B)	IPC-8118(B) 180W FSP180-50PLAATX Power Supply
IPC-8118(B)/NET-1711VD4N	1U chassis with NET SBC